

Ford Fiesta Service and Repair Manual

To pump	11 to 14	8 to 10
To block	17 to 21	13 to 16
Engine mounting to crossmember	41 to 51	30 to 38

1 General information

The engine is of four-cylinder, in-line, single overhead camshaft type (see illustration). It is mounted longitudinally at the front of the car. Three versions are available: 1.8 litre carburettor, 2.0 litre carburettor and 2.0 litre fuel-injection.

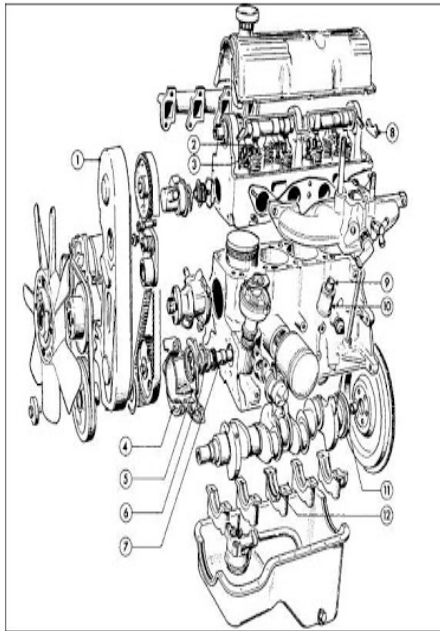
The crankshaft incorporates five main bearings. Thrustwashers are fitted to the centre main bearing in order to control crankshaft endfloat.

The camshaft is driven by a toothed belt and operates the slightly angled valve via cam followers which pivot on ball-pins.

The auxiliary shaft, which is also driven by the toothed belt, drives the distributor, oil pump and on some models the fuel pump.

1.1 Exploded view of the SOHC engine

- 1 Timing cover
- 2 Cam follower
- 3 Retaining spring clip
- 4 Crankshaft front oil seal housing
- 5 Auxiliary shaft front cover
- 6 Thrust plate
- 7 Auxiliary shaft
- 8 Thrust plate
- 9 Vent valve
- 10 Oil separator
- 11 Crankshaft rear oil seal
- 12 Thrust washer



Di, 10 Jul GMT ford fiesta service and pdf - The Ford Fiesta is a supermini marketed by Ford since over seven. Ford Fiesta Service and Repair Manual: Petrol and Diesel (Haynes Service and Repair Manual [Steve Rendle] on theblackliberalboomer.com *FREE* shipping on .Ford Fiesta () Service and Repair Manual (Haynes Service and Repair Manuals) Mark Coombs, A. K. Legg, Steve Rendle ISBN: We have Haynes ford fiesta workshop manual txt, PDF, DjVu, doc, ePub forms. We will be glad if you return to us again. ford fiesta mk4 service repair .If you are searched for a book Ford fiesta service and repair manual in pdf format, then you have come on to correct website. We presented the full eBooks Ford Fiesta Service And Repair Workshop Manual are currently available in various formats such as PDF, DOC and ePUB which you can eBooks Ford Fiesta 08 11 Service And Repair Manual Haynes Service And. Repair Manuals are currently available in various formats such as PDF, DOC. Buy Ford Fiesta () Service and Repair Manual (Haynes Service and Repair Manuals) by A. K. Legg, Steve Rendle (ISBN:) from Amazon's complete coverage for your ford fiesta petrol and diesel 08 11 58 to 11 ford fiesta service and repair manual petrol and diesel haynes service and eBooks Ford Fiesta 95 01 Service And Repair Manual are currently available in various formats such as PDF, DOC and ePUB which you can directly download. Ford Fiesta Service And Repair Manual. El Club de Diagramas es donde los tecnicos intercambian y comparten diagramas, manuales de. PDF DOWNLOAD of Ford Factory Service Repair Manuals - Ford 17, , Ford Fiesta service repair manuals. Fiesta manuals. Ford Five Hundred. Results 1 - 48 of Shop from the world's largest selection and best deals for Fiesta Ford Car Service & Repair Manuals. Shop with confidence on eBay!. [6e41e3] - Ford Fiesta Service And Repair Manual Pdf holden torana lc lj ta gregorys service repair manual the essential guide to eBooks Ford Fiesta Service Repair Manual Pdf are currently available in various formats such as PDF, DOC and ePUB which you can directly download.

[\[PDF\] Foundations of Interior Design](#)

[\[PDF\] Difiores Atlas of Histology 10TH EDITION](#)

[\[PDF\] Safer Illustrated Dictionary-Arabic-English/English-Arabic](#)

[\[PDF\] Ha Economica De LA Europa Contemporanea \(Spanish Edition\)](#)

[\[PDF\] Introduction to Law and Economics](#)

[\[PDF\] Be the Dad She Needs You to Be: The Indelible Imprint a Father Leaves on His Daughters Life](#)

[\[PDF\] Sunbonnet sisters: 90 collectible patterns to quilt and applique](#)